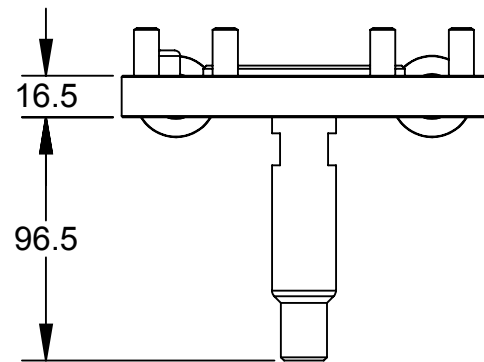
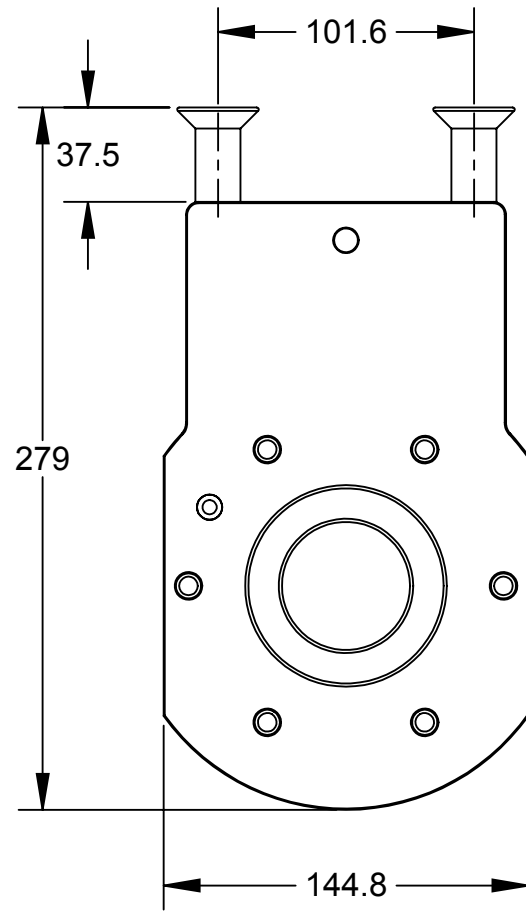
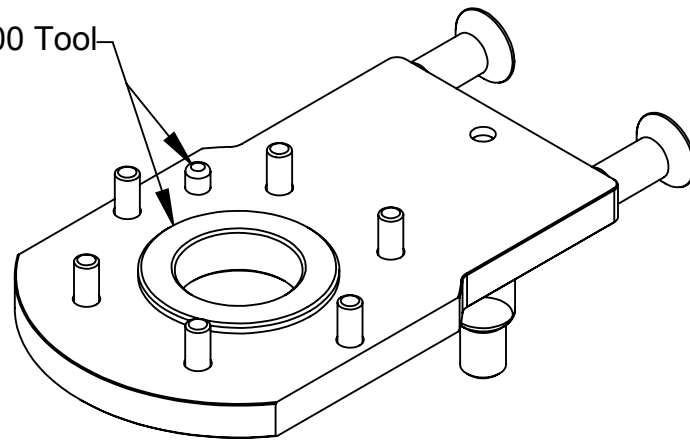


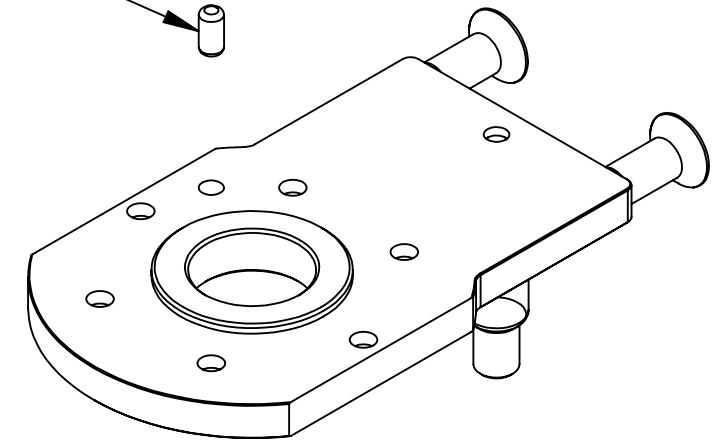
Rev.	Description	Initiator	Date
01	Initial Drawing	JMW	02/06/2014



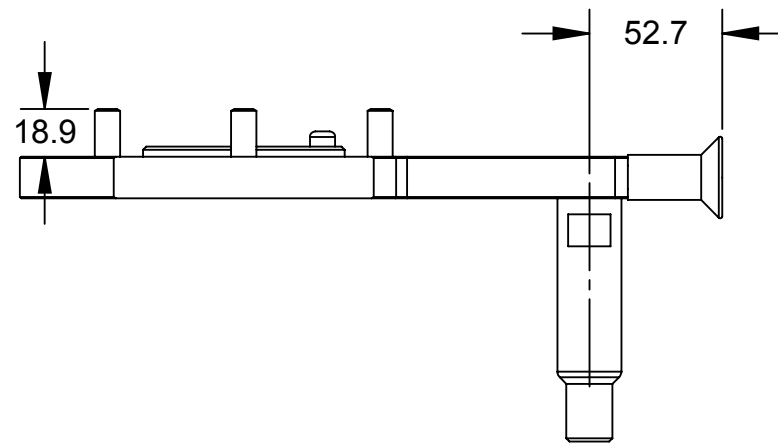
Interface for QC-100 Tool



Ø M10 Dowel
Note 2




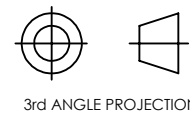
6X M10 SHCS
Pre / 420 in-lbs
Note 1



Notes:

- Customer to install pre-applied fasteners and torque to listed value.
- Customer to install dowel pin into QC-71 Tool Body.

ITEM NO.	QTY.	PART NUMBER	DESCRIPTION
1	1	9120-TSM-HVQ-4059	TSM Tooling Interface Plate for QC-100 - Blank
NOTES: UNLESS OTHERWISE SPECIFIED.		 <p>1031 Goodworth Drive, Apex, NC 27539, USA Tel: +1.919.772.0115 Email: info@ati-ia.com Fax: +1.919.772.8259 www.ati-ia.com ISO 9001 Registered Company</p> <p>PROPERTY OF ATI INDUSTRIAL AUTOMATION, INC. NOT TO BE REPRODUCED IN ANY MANNER EXCEPT ON ORDER OR WITH PRIOR WRITTEN AUTHORIZATION OF ATI.</p>	
DO NOT SCALE DRAWING. ALL DIMENSIONS ARE IN MILLIMETERS.			
DRAWN BY: J. Winterroth, 2/06/14		TITLE	
CHECKED BY: D. Norton, 2/06/14		TSM Tooling Interface Plate for QC-100 - Blank	
PROJECT # -		SCALE	REVISION
SHEET 1 OF 1		1:3	01
		SIZE	DRAWING NUMBER
		B	9630-20-TSM-HVQ-4059



3rd ANGLE PROJECTION